

Gotham Architectural Downlighting  
LED Downlights

**4" Evo®**  
**A-Series LED, Open Reflector**

Solid-State Lighting

FEATURES

**OPTICAL SYSTEM**

- Self-flanged semi-specular, matte-diffuse or specular lower reflector
- Patented Bounding Ray™ optical design (U.S. Patent No. 5,800,050)
- 45° cutoff to source and source image
- Top-down flash characteristic

**MECHANICAL SYSTEM**

- 16-gauge galvanized steel construction; maximum 1-1/4" ceiling thickness
- Telescopic mounting bars maximum of 32" and minimum of 15", preinstalled, 4" vertical adjustment
- Toolless adjustments post installation
- Junction box capacity: 8 (4 in, 4 out ) 12AWG rated for 90°C
- Light engine and driver accessible through aperture

**ELECTRICAL SYSTEM**

- Fully serviceable and upgradeable LED light engine
- 70% lumen maintenance at 50,000 hours based on IESNA LM-79-2008
- 120-277VAC, 50/60hz power supply with 0-10V dimming (10-100%); rated for 50,000-hour life
- Overload and short circuit protected

**LISTINGS**

- Fixtures are CSA certified to meet US and Canadian standards; wet location, covered ceiling

**WARRANTY**

- 5-year limited warranty. Complete warranty terms located at: [www.acuitybrands.com/CustomerResources/Terms\\_and\\_conditions.aspx](http://www.acuitybrands.com/CustomerResources/Terms_and_conditions.aspx)

ORDERING INFORMATION

**EXAMPLE: ALED 35/10 4AR 120**

Series	Color temperature	Nominal lumen values	Aperture/Trim color	Finish	Voltage	Driver
<b>ALED</b>	<b>27/</b> 2700 K	<b>06</b> 600 lumens	<b>4AR</b> Clear	(blank) Semi-specular	<b>120</b>	(blank) <sup>2</sup> 0-10V dimming driver. Minimum dimming level 10% <b>ECOS3<sup>3</sup></b> Lutron Hi-Lume® dimming driver. Minimum dimming level 1%
	<b>30/</b> 3000 K	<b>10</b> 1000 lumens	<b>4PR</b> Pewter	<b>LD</b> Matte diffuse	<b>277</b>	
	<b>35/</b> 3500 K	<b>14</b> 1400 lumens	<b>4WTR</b> Wheat	<b>LS</b> Specular	<b>347</b>	
	<b>41/</b> 4100 K	<b>18</b> 1800 lumens	<b>4GR</b> Gold			
			<b>4WR<sup>1</sup></b> White			

Options

<b>SF</b>	Single fuse	<b>TRBL</b>	Black painted flange
<b>LRC</b>	Lithonia Reloc® system	<b>ELR<sup>6</sup></b>	Emergency battery pack with remote test switch
<b>NSD<sup>4</sup></b>	Sensor Switch nLight™ dimming relay	<b>CP</b>	Chicago plenum
<b>TRW<sup>5</sup></b>	White painted flange		

ACCESSORIES order as separate catalog numbers (shipped separately)

<b>SCA4</b>	Sloped ceiling adapter. Degree of slope must be specified (10D, 15D, 20D, 25D, 30D). Ex: SCA4 10D. Refer to <a href="#">TECH-190</a> .
<b>CTA6 YKLED</b>	Ceiling thickness adapter (extends mounting frame to accommodate ceiling thickness up to 2").
<b>ISD BC</b>	0-10V wallbox dimmer. Refer to <a href="#">ISD-BC</a> .

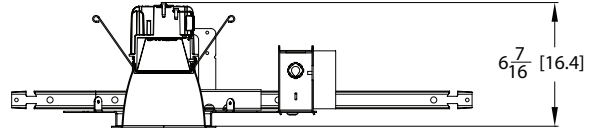
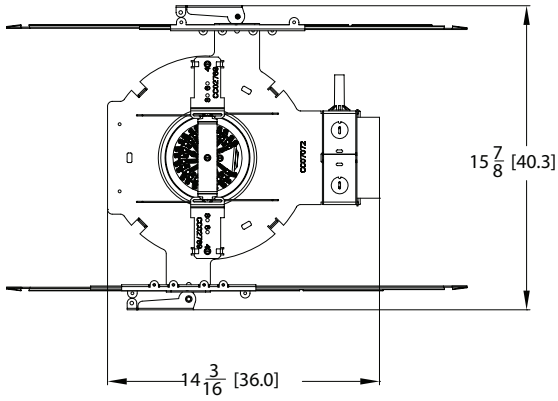
NOTES

ORDERING NOTES

1. Not available with finishes.
2. Refer to [TECH-240](#) for compatible dimmers.
3. CSA certified for US only.
4. One 5A relay with one 0-10 VDC dimming output, shipped installed. Requires additional nLight bus power supply (nPS80).
5. Not available with white reflector.
6. For dimensional changes, refer to [TECH-140](#).

DIMENSIONAL DATA

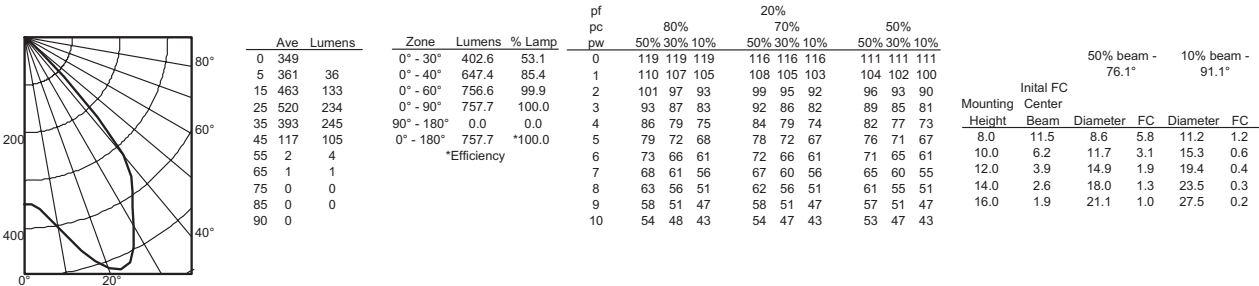
All dimensions are inches (centimeters) unless otherwise noted.



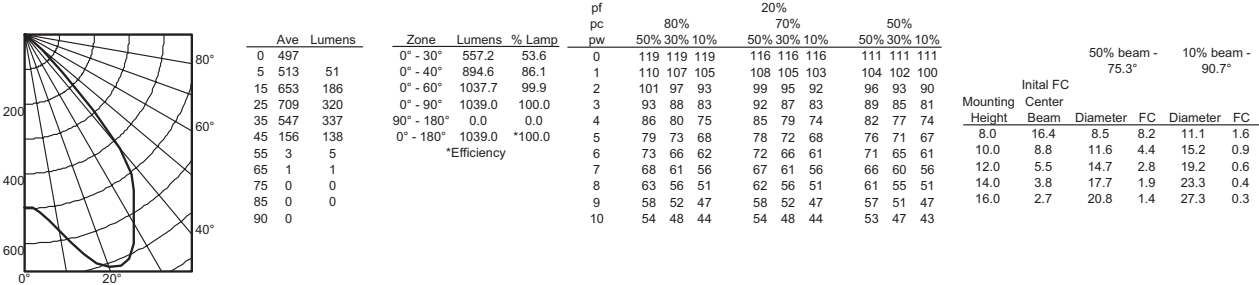
Aperture: 4-5/16 (11)  
Ceiling Opening: 5-1/8 (13)  
Overlap Trim: 5-7/16 (13.8)

Distribution Curve      Distribution Data      Output Data      Coefficient of Utilization      Illuminance: Single Luminaire 30" Above Floor

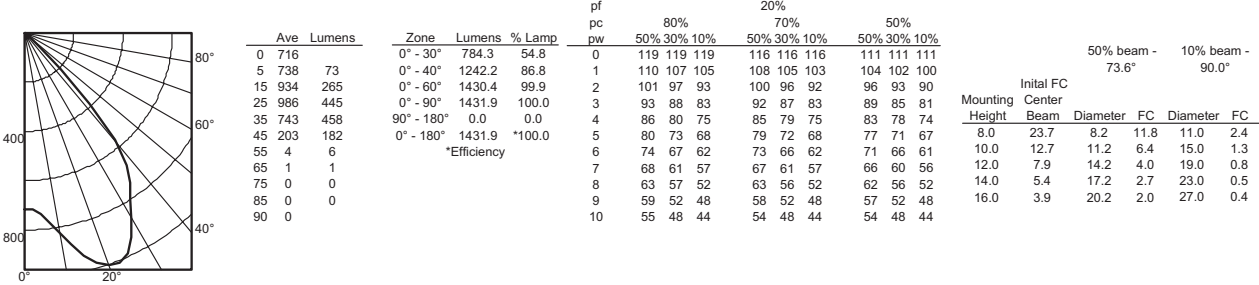
**ALED 35/6 4AR LS**      INPUT WATTS: 15.6, DELIVERED LUMENS: 757.7, LM/W=48.6, 1.6 S/MH, TEST NO. LTL21260



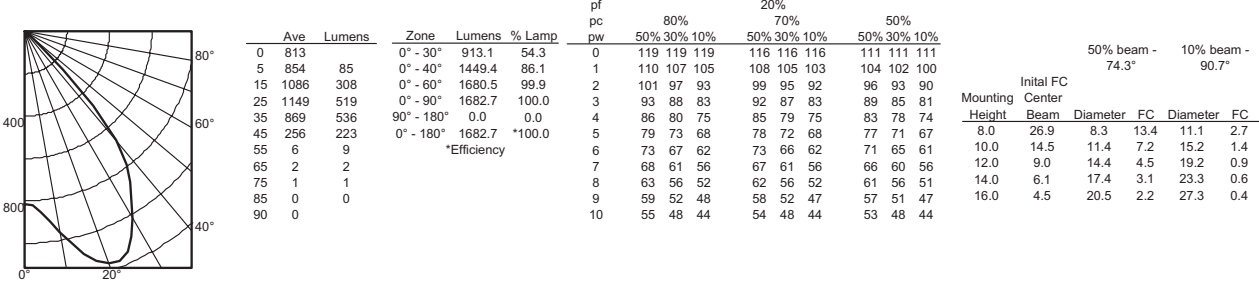
**ALED 35/10 4AR LS**      INPUT WATTS: 20.6, DELIVERED LUMENS: 1039.0, LM/W=50.4, 1.5 S/MH, TEST NO. LTL21209



**ALED 35/14 4AR LS**      INPUT WATTS: 26.2, DELIVERED LUMENS: 1431.9, LM/W=54.7, 1.5 S/MH, TEST NO. LTL21213



**ALED 35/18 4AR LS**      INPUT WATTS: 29.0, DELIVERED LUMENS: 1682.7, LM/W=58.0, 1.5 S/MH, TEST NO. LTL21149



**PHOTOMETRY NOTES**

- Tested in accordance with IESNA LM-79-08.
- Tested to current IES and NEMA standards under stabilized laboratory conditions.
- Actual performance may differ as a result of end-user environment and application.
- Actual wattage may differ by +/- 10% when operating between 120-277V +/- 10%.
- CRI: 83 typical.
- Consult factory or IES file for microgroove baffle, black cone or other photometric reports.