

Project Information

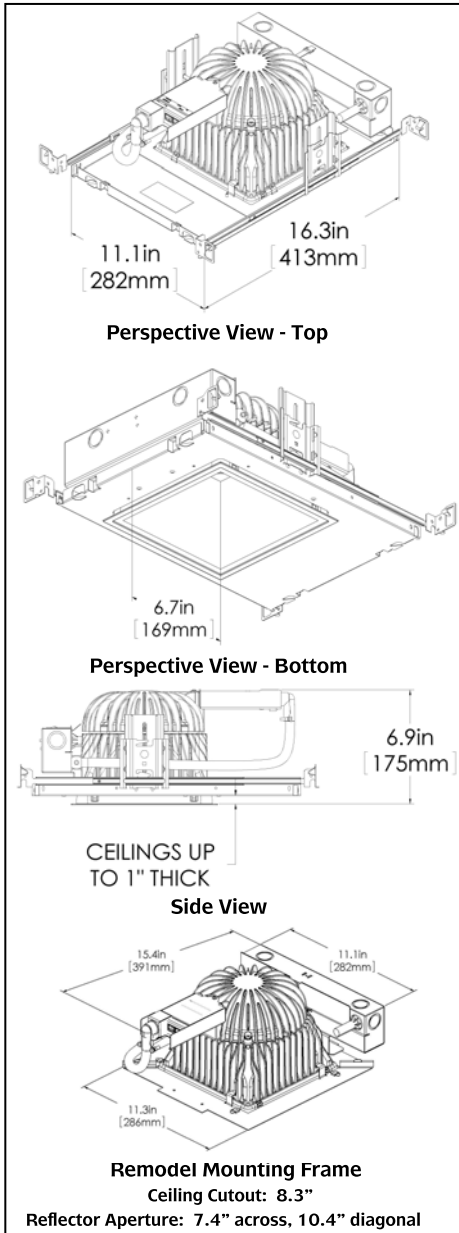
Job Name _____

Fixture ID/Type _____

Project Specification Number _____

Approval _____

Date _____



Specifications

Optics/Reflector and Lens:

Primary optic: high reflectance white integrating chamber with LED circuit board mask.

Secondary optic: diffuse aluminum reflector.

Lens: Optically clear acrylic lens between integrating chamber and secondary optic to eliminate intrusion of debris into optical source.

Trims: Trim ring supplied with all light engines. Mud ring supplied with all mounting frames.

LED Source Configuration:

Red, Green, and Blue (RGB) arranged in a circular array inside the patented integrating chamber. Combined light from all LEDs is mixed and blended before being directed through the chamber aperture and secondary reflector.

Active Color Control:

RGB Fixtures include patented factory calibrated closed loop optical feedback sensor and control to continuously adjust output color to compensate for operating conditions and LED variations through product life. Color control protocol based on CIE 1931 Color Space.

Power Supply/LED Driver Board:

LED driver board is integrated into a 20 ga. steel housing mounted on top of the fixture. Power supply is mounted in the supplied junction box and attached to the light engine through flexible conduit.

Housing Mechanical:

Housing design incorporates metal clad LED circuit board secured to cast aluminum heat sinks to remove heat from LEDs. Housing and trim ring are secured to mounting frame by four (4) screws to provide tight fit to the ceiling. The reflector then snaps into the trim ring.

Ceiling Frame w/Junction Box:

Galvanized steel new construction mounting frames with bar hangers for use with joists and T-bar ceilings spaced up to 24" O.C. Galvanized steel remodel mounting frame that can be installed through the opening in the ceiling. Junction box is a minimum of 20 ga. galvanized steel, pre-wired and listed for maximum of 8 #12 AWG 90°C additional feed through conductors.

Electrical Requirements

System Input: 120V, 220V, 240V, 277V

Integral Power Supply Output: 24V DC, 4.1A Max. Rating

Oper. Temp: -13°F to 140°F (-25°C to 60°C)

Classification/Listing: Class 2 power supply; UL recognized

Power Consumption: 40 watts at 100% RGB Driven

Data Communications

RGB Connectors: One IN and one OUT female connector provided for RJ45 plugs

Interface Controllers: Available separately. May be controlled with Rotary and Rhapsody Color Management Controllers, DMX control with available control interface, or through Crestron technologies. (consult Crestron representative for details)

Certification / Warranty

Fixtures are listed to comply with US and Canadian standards. Wet location (under covered ceiling); Non-IC; three-year limited warranty.

Catalog Number Configuration

Example: 7DS3 RGB 7AR 120

Series	Trim Color	Finish	Voltage	Options	
7DS3 RGB	7" Square, Medium	7AR Clear	(blank) Semi-Specular	120	REMF Remodel Mounting Frame
			LS Specular	220	
			LD Matte-diffuse	240	

117-0021-A