

Project Information

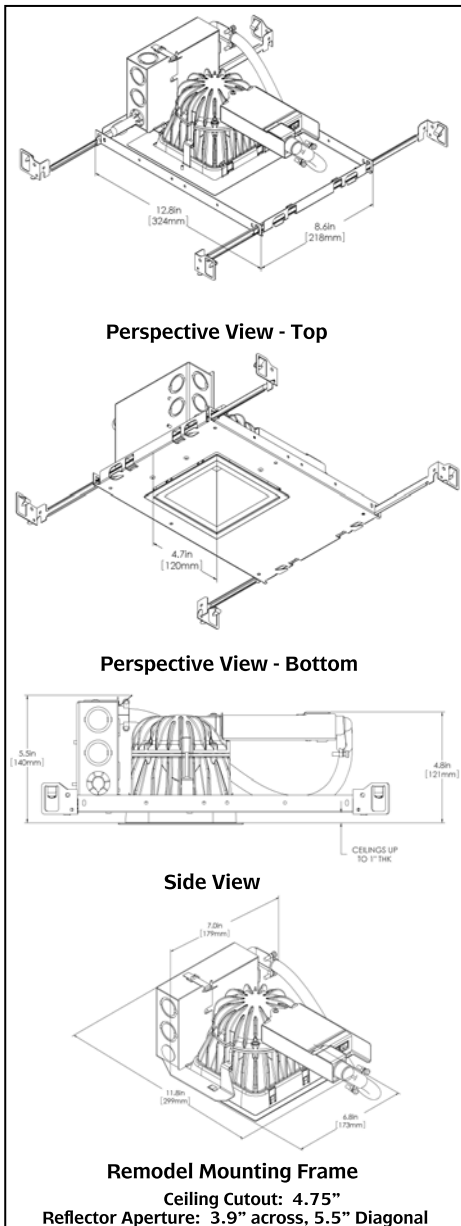
Job Name _____

Fixture ID/Type _____

Project Specification Number _____

Approval _____

Date _____


Specifications
Optics/Reflector and Lens:

Primary optic: high reflectance white integrating chamber with LED circuit board mask.
 Secondary optic: low brightness diffuse aluminum reflector.
 Lens: Optically clear acrylic lens between integrating chamber and secondary optic to eliminate intrusion of debris into optical source.
 Trims: Trim ring supplied with all light engines. Mud ring supplied with all mounting frames.

LED Source Configuration:

Red, Green, Blue (RGB) arranged in a circular array inside the patented integrating chamber. Combined light from all LEDs is mixed and blended before being directed through the chamber aperture and secondary reflector.

Active Color Control:

RGB Fixtures include patented factory calibrated closed loop optical feedback sensor and control to continuously adjust output color to compensate for operating conditions and LED variations through product life. Color control protocol based on CIE 1931 Color Space.

Power Supply/LED Driver Board:

LED driver board is integrated into a 24 ga. steel housing mounted on top of the fixture. Power supply is mounted to the supplied junction box and attached to the light engine through flexible conduit.

Housing Mechanical:

Housing design incorporates metal clad LED circuit board secured to cast aluminum heat sinks to remove heat from LEDs. Housing and trim ring are secured to mounting frame by two (2) screws to provide tight fit to the ceiling. The reflector then snaps into the trim ring.

Ceiling Frame w/Junction Box:

Galvanized steel new construction mounting frames with bar hangers for use with joists and T-bar ceilings spaced up to 24" O.C.
 Galvanized steel remodel mounting frame that can be installed through the opening in the ceiling. Junction box is a minimum of 18ga. galvanized steel and is pre-wired.

Electrical Requirements

System Input: 120V, 220V, 240V

Integral Power Supply Output: 24V DC, 1.67A Max. Rating

Oper. Temp: -13°F to 122°F (-25°C to 50°C)

Classification/Listing: Class 2 power supply; CSA listed

Power Consumption: 30 watts at 100% RGB Driven

Data Communications

RGB Connectors: One IN and one OUT female connector provided for RJ45 plugs

Interface Controllers: Available separately. May be controlled with Rotary and Rhapsody Color Management Controllers, DMX control with available control interface, or through Crestron control technologies. (consult Crestron representative for details)

Certification / Warranty

Fixtures are listed to comply with US and Canadian standards. Wet location (under covered ceiling); Non-IC; three-year limited warranty.

Catalog Number Configuration

Example: 4DS3 RGB 4AR 120

Series	Trim Color	Finish	Voltage	Options	
4DS3 RGB	4" Square, Medium	4AR Clear	(blank) Semi-Specular	120	REMF Remodel Mounting Frame
			LS Specular	220	
			LD Matte-diffuse	240	

117-0023

4DS3

 ©2008, 2009 Acuity Brands Lighting, Inc. All Rights Reserved.
 Rev 05/2011



An Acuity Brands Company

 GOTHAM ARCHITECTURAL DOWNLIGHTING
 1400 Lester Road Conyers Georgia 30012
 P 800 315 4982 F 770 860 3129
 www.gothamlighting.com