



CYLINDRO
BIG LIGHT
Q-UPLIGHT



6401.18

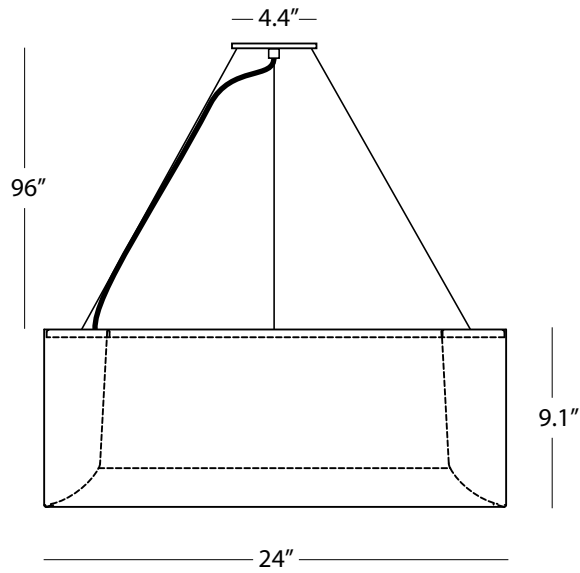
Janet Nolan Design

Babcock & Brown/San Francisco

Photo: © Benny Chan/Fotoworks

DELRAY

central mounting point



- 6401.13 10-13w CFL
- 6401.18 5-18w CFL
- 6401.26 5-26w CFL

OPTIONS

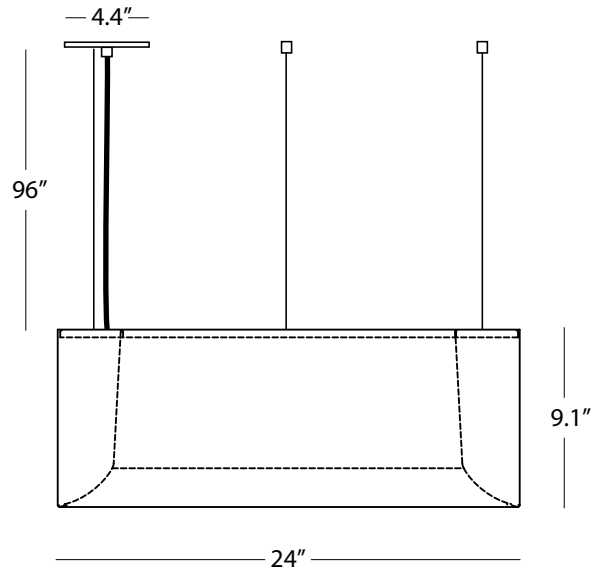
- BMR16 50w MR16 downlight
- BAR111 50w AR111 downlight
- D3 dimming, 18 or 26w CFL

CFL



6401

three point mounting



- 6402.13 10-13w CFL
- 6402.18 5-18w CFL
- 6402.26 5-26w CFL

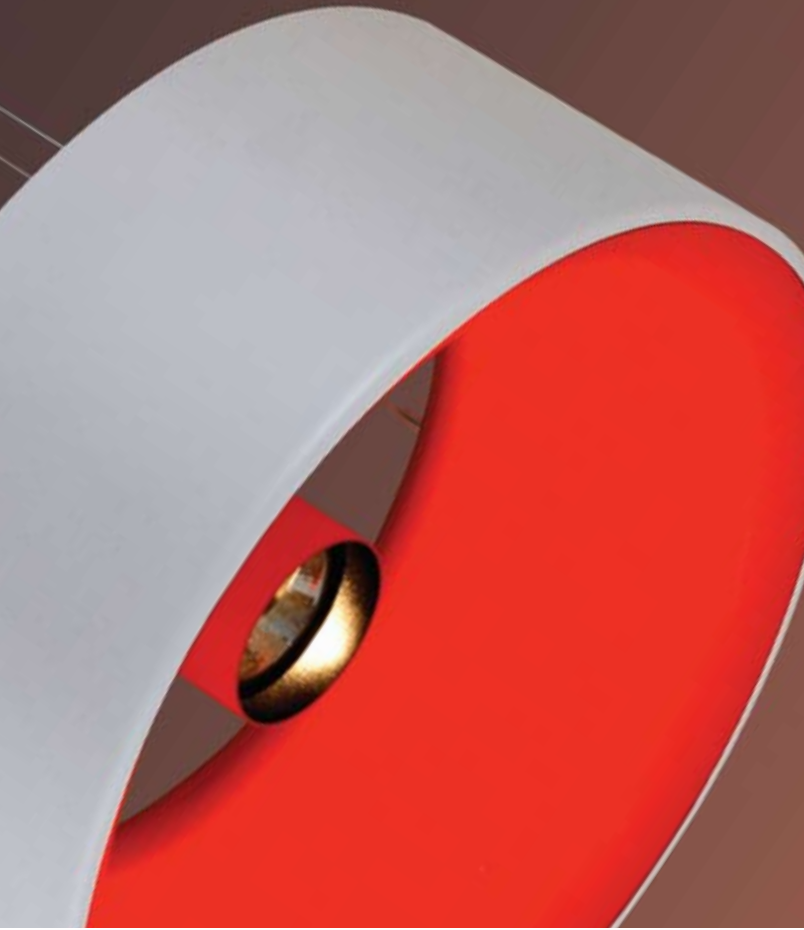
OPTIONS

- BMR16 50w MR16 downlight
- BAR111 50w AR111 downlight
- D3 dimming, 18 or 26w CFL

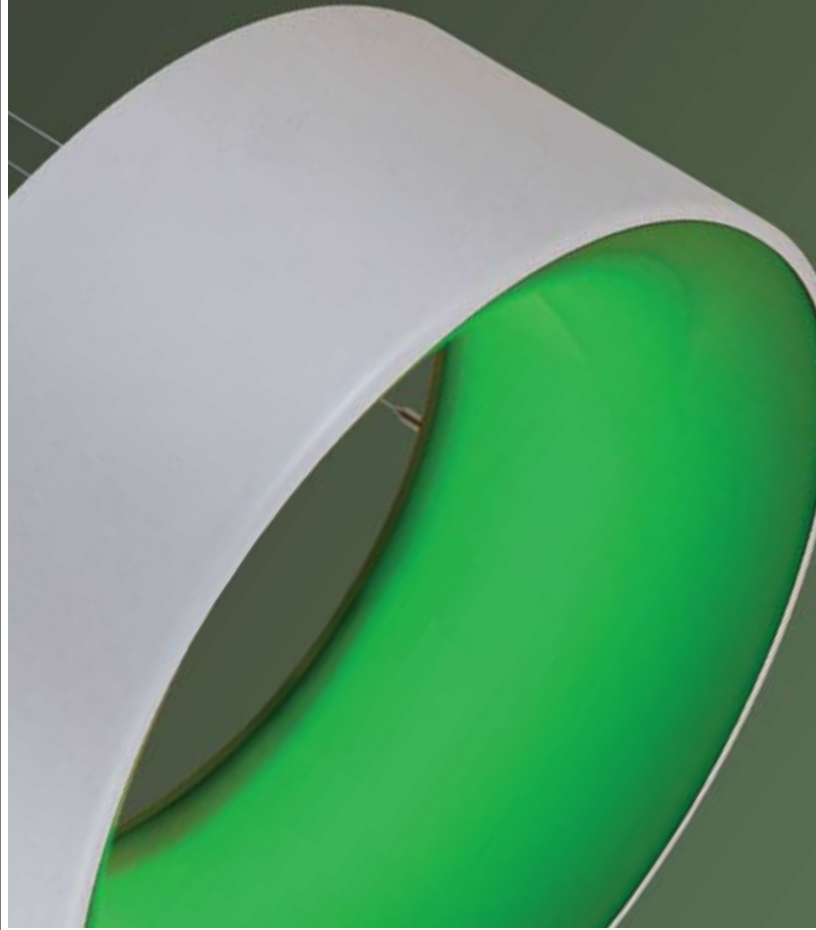


6402

6502.R shown with BAR111 option



6502.G



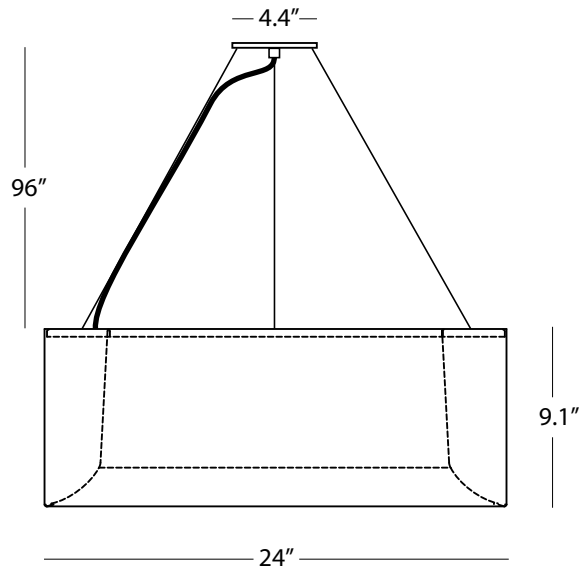
6502.B



6502.SQ shown with BMR16 option



central mounting point



- 6501.R red LED
- 6501.G green LED
- 6501.B blue LED
- 6501.SQ* RGB LED color sequencer

OPTIONS

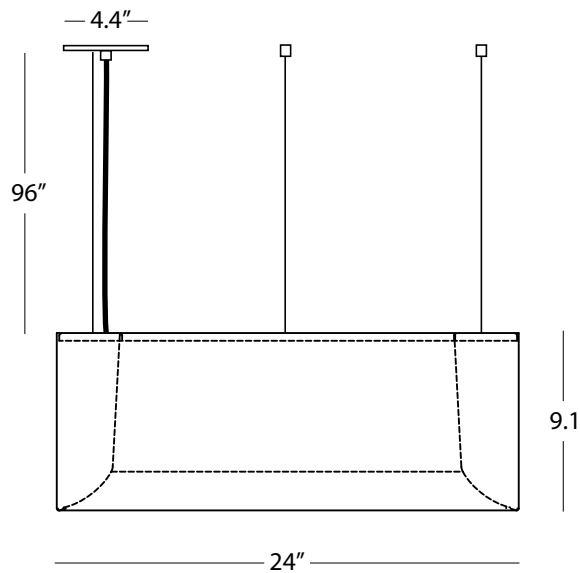
- BMR16 50w MR16 downlight
- BAR111 50w AR111 downlight

LED



6501

three point mounting



- 6502.R red LED
- 6502.G green LED
- 6502.B blue LED
- 6502.SQ* RGB LED color sequencer

OPTIONS

- BMR16 50w MR16 downlight
- BAR111 50w AR111 downlight

*See spec pages online for up-to-date LED controller information.

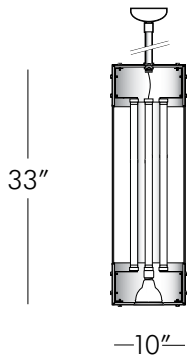


6502



6300 shown

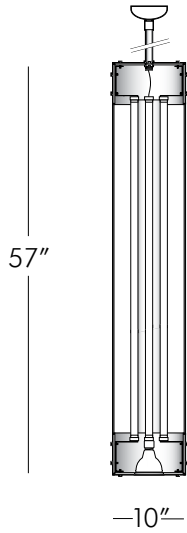
DELRAY



6301
 three 17w T8 lamps with
 one 75w PAR30S 120V *only*

6321
 three 17w T8 lamps with one
 39w PAR30 metal halide

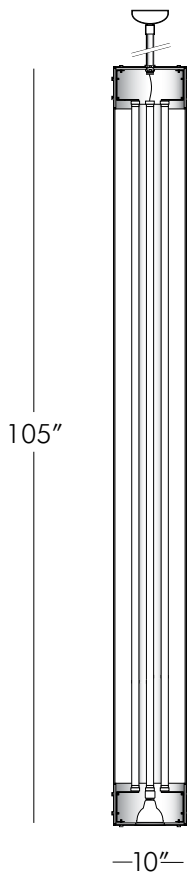
6331
 three 17w T8 lamps with no
 downlight



6300
 three 32w T8 lamps with
 one 75w PAR30S 120V *only*

6320
 three 32w T8 lamps with
 one 39w PAR30 metal halide

6330
 three 32w T8 lamps with
 no downlight



6302
 three 59w T8 lamps with
 one 75w PAR30S 120V *only*

6322
 3-59w T8 lamps with one 39w
 PAR30 metal halide

6332
 3-59w T8 lamps with
 no downlight

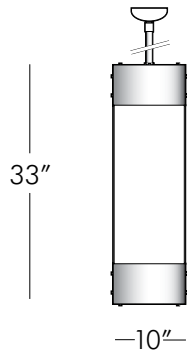
CFL



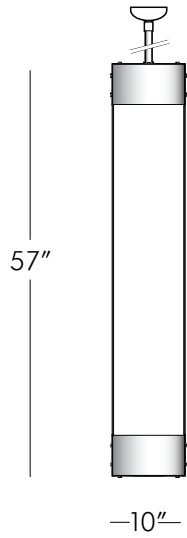
6300



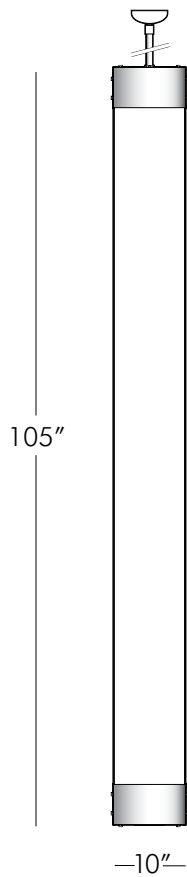
Custom chandelier
The Lighting Practice
The Avenues Mall, Jacksonville, FL



- 6341***
LED RGB sequencer with no downlight
- 6351***
LED RGB sequencer with one 75w PAR30S 120V only
- 6361***
LED RGB sequencer with one 39w PAR30 metal halide



- 6340***
LED RGB sequencer with no downlight
- 6350***
LED RGB sequencer with one 75w PAR30S 120V only
- 6360***
LED RGB sequencer with one 39w PAR30 metal halide



- 6342***
LED RGB sequencer with no downlight
- 6352***
LED RGB sequencer with one 75w PAR30S 120V only
- 6362***
LED RGB sequencer with one 39w PAR30 metal halide

*See spec pages online for up-to-date LED controller information.

LED



6340

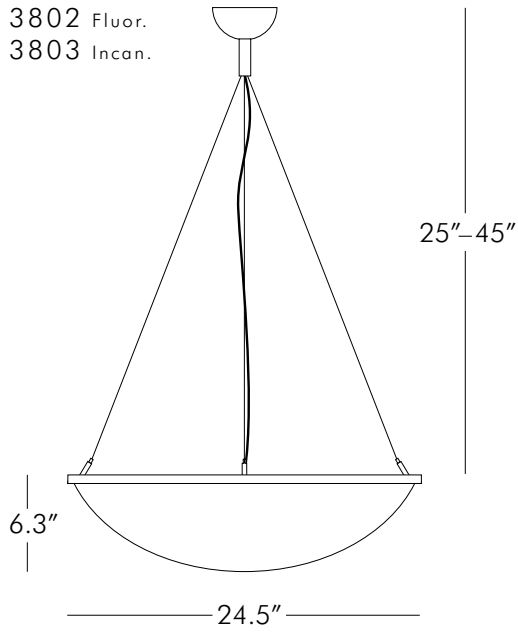


3812 Fluor.
3813 Incan.

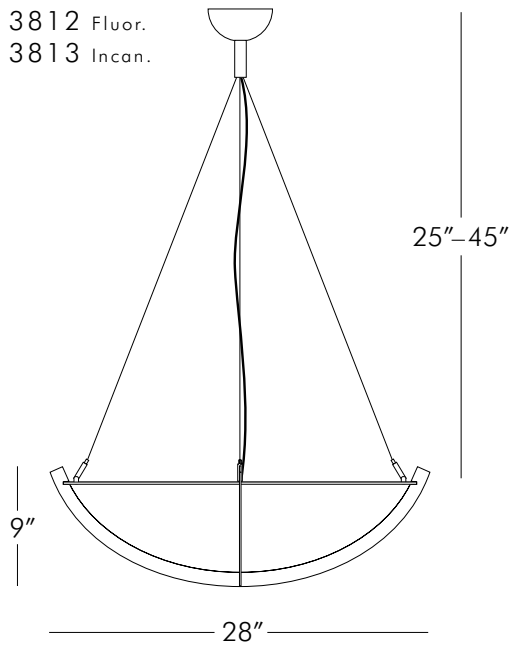
Q-UPLIGHT
four 26,32,42w

DELRAY

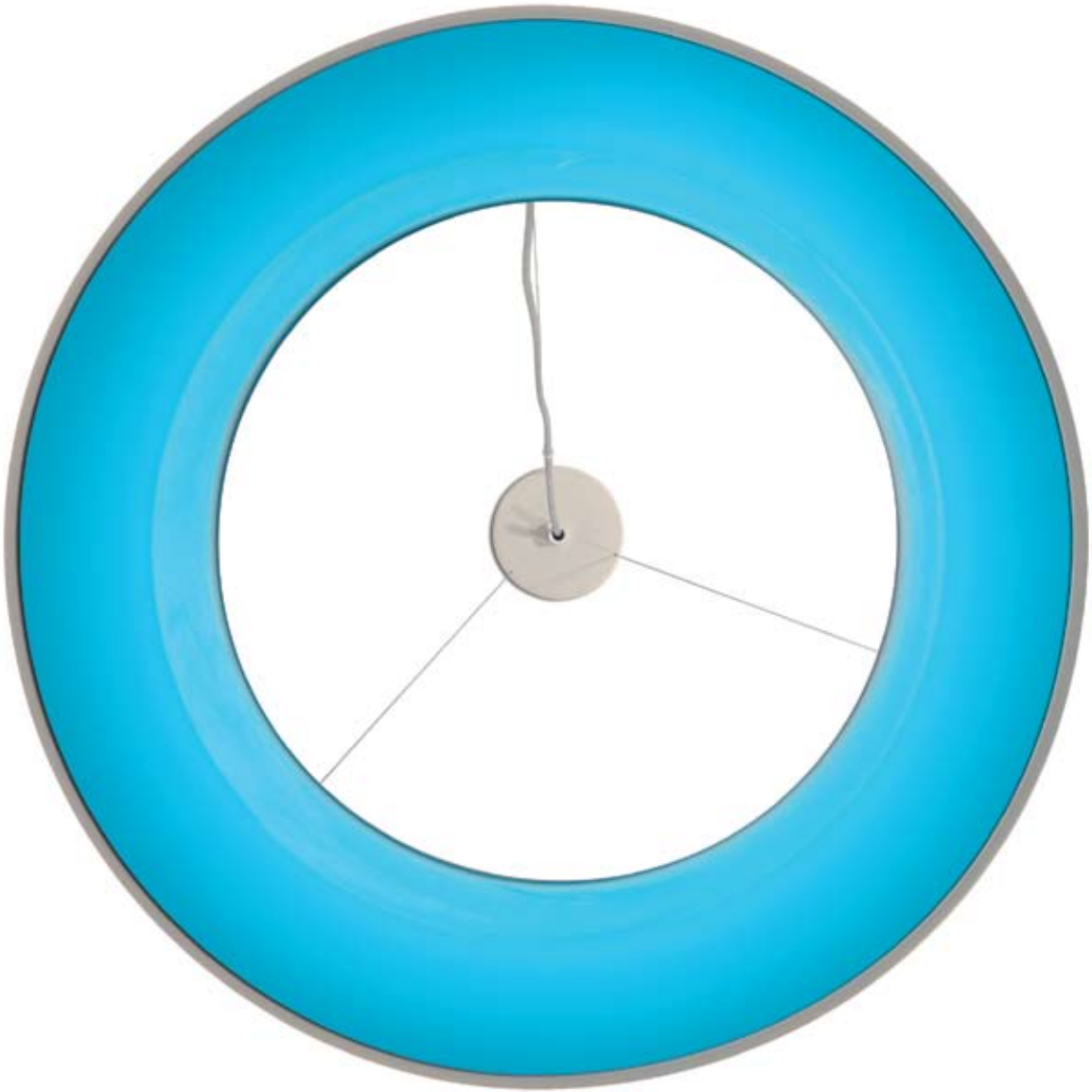
3802 Fluor.
3803 Incan.



3812 Fluor.
3813 Incan.



3802 Fluor.
3803 Incan.



6501.SQ
shown from below