

LRP-38™

PAR38 LED Lamp

Product Description

The LRP-38™ LED PAR38 lamp delivers 600 lumens of exceptional 94 CRI light while achieving 50 lumens per watt. This breakthrough performance is achieved by combining the high efficacy and high-quality light of Cree TrueWhite® Technology. The LRP-38 is available in a warm color temperature and has a 20-degree beam angle. Available in both Edison and GU24 bases, the LRP-38 is a spec grade solution perfect for down lighting, track, and accent lighting use in both commercial and retail applications.

Performance Summary

- Utilizes Cree TrueWhite® Technology
- Active Color Management
- ENERGY STAR® qualified to last at least 25,000 hours
- Delivered Light Output:** 600 lumens
- Input Power:** 12 watts
- CRI:** 94
- CCT:** 2700K
- Beam Angle:** 20°
- CBCP:** 4800
- Warranty:** 3 years
- Lifetime:** Designed to last 50,000 hours in open fixtures
- non-IC Lifetime:** Designed to last 35,000 hours in non-IC recessed downlights
- Dimming:** Dimmable to 20% with ELV dimmers

Ordering Information

Example: LRP38A92-20D40

Product
LRP38A92-20D40 Edison Base
LRP38A92-20D40-GU24 GU24 Base
LRP38-6L-27K-20D-F* Edison Base, NSF Certified
LRP38-6L-27K-20D-GU24-F* GU24 Base, NSF Certified

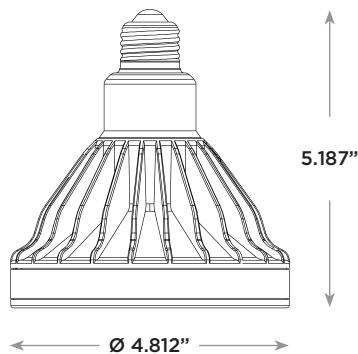
Housings & Accessories

Reference Housing & Accessory documents for more details.

Trackheads
TL Lampholder, Edison Socket
TG38 Gimbal Ring, GU24 Socket

* Target Availability Early 2012.

LRP-38



Product Specifications

CREE TRUEWHITE® TECHNOLOGY

Cree TrueWhite® Technology begins with the highest performing commercially available LEDs. Cree TrueWhite® Technology mixes the light from red and unsaturated yellow LEDs to create beautiful, warm, white light. This patented approach enables color management to preserve high color consistency over the life of the product. Cree TrueWhite® Technology also enables a CRI of at least 90 while maintaining high luminous efficacy—a no compromise solution.

CONSTRUCTION & MATERIALS

- Durable die-cast aluminum housing with lens protects LEDs and optical system.
- Thermal management system uses a combination of heat pipe technology and integral heat sink to conduct heat away from LEDs and transfer it to the surrounding environment for optimal performance.
- Housing conforms to ANSI standards for PAR38 lamp envelopes.

NOTE: To ensure compatibility, verify fit in fixtures that utilize the lamp face for mechanical attachment. Color filters, baffles, or other shielding media may affect color consistency and lifetime.

OPTICAL SYSTEM

- Specular reflector redirects light from an upward-facing LED to achieve a uniform, comfortable appearance that eliminates pixelation and direct view of unshielded LED. This ensures smooth light patterns are projected with no hot spots and minimal striations.
- Specular reflector is precisely formed for exceptional optical control, enabling 20° beam angle with almost no light wasted outside of the beam. This ensures low brightness appearance when viewed from off-axis and outside of the beam.

ELECTRICAL SYSTEM

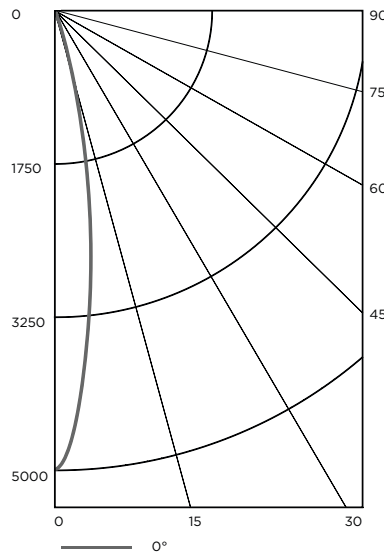
- Integral, high-efficiency driver and power supply.
- **Power Factor** > 0.9 nominal
- **Input Voltage:** 120V, 60Hz
- **Dimming:** Dimmable to 20% with ELV dimmers.

REGULATORY & VOLUNTARY QUALIFICATIONS

- ENERGY STAR® qualified.
- cULus Listed®
- Utilize GU24 base for new construction projects in California or other areas where high-efficacy line voltage sockets are required.
- Exceeds ENERGY STAR® color consistency requirements.
- Suitable for damp locations.

Photometry

LRP38A92-20D40 BASED ON ONSPEX #: 30014165



Intensity (Candlepower) Summary

Angle	Mean CP
0°	4800
5°	3955
15°	679
25°	85
35°	10
45°	8
55°	8
65°	9
75°	1
85°	0
90°	0

Zonal Lumen Summary

Zone	Lumens	% Lamp
0-30	572	95.26%
0-40	579	96.43%
0-60	591	98.52%
0-90	600	100%

Reference CreeLEDLighting.com for detailed photometric data.

