

CPY250-A-DM-D/F-A

CPY Series LED Canopy / Soffit Luminaire -
Direct Mount - Drop / Flat Lens - Input Power

Product Description

Slim, low profile, easy mounting from below the deck. Luminaire housing constructed of rugged cast aluminum with integral heat sink specifically designed for LED. Luminaire mounts directly to the canopy deck in a 2.0" (51mm) to 4.0" (102mm) round hole and is secured in place with retained self sealing screws that provide water-tight seal. Suitable for use in single or double skin canopies with a minimum 4.0" (102mm) wide panels and a minimum 22 gauge, 0.030" (0.7mm) canopy thickness. Direct imaging of LEDs is eliminated with high efficiency patterned flat or 0.91" (23mm) drop glass lens.

Performance Summary

Made in the U.S.A. of U.S. and imported parts

CRI: Minimum 70 CRI

CCT: 5700K (+ / - 500K)

Limited Warranty[†]: 10 years on luminaire / 10 years on Colorfast DeltaGuard[®] finish

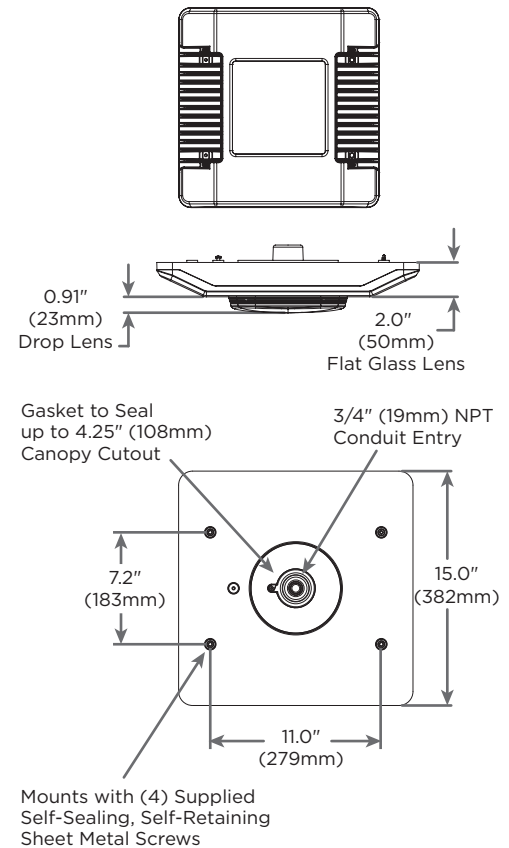
Accessories

Field Installed Accessories	
XA-BXCCMW Upgrade Kit for use with Jet-Phillips canopy luminaires	XA-BXCCRW Upgrade Kit for use with ElSCO Merrit canopy luminaires
XA-BXCCNW Upgrade Kit for use with ElSCO Franciscan canopy luminaires	XA-BXCCJBOX Junction Box / Stem Kit - 6.0" (152mm) H x 3/4" (19mm) NPT Stem
XA-BXCCPW Upgrade Kit for use with LSI Dakota or Masters canopy luminaires	XA-BXCCBPW Beauty Plate
XA-BXCCQW Upgrade Kit for use with Whiteway Riviera or RIG-A-Lite canopy luminaires	



Drop Lens

Flat Lens



Ordering Information

Example: CPY250-A-DM-D-A-UL-WH-OPTIONS

CPY250	A	DM		A			
Product	Version	Mounting	Optic	Input Power Designator	Voltage	Color Options	Options
CPY250	A	DM Direct	D 0.91" (23mm) Drop Lens F Flat Lens	A 82W	UL Universal 120-277V UH Universal 347-480V*	WH White (Standard) SV Silver BK Black BZ Bronze PB Platinum Bronze	

[†] See www.cree.com/lighting/products/warranty for warranty terms.

* For input power for 347-480V, refer to the Lumen Output, Electrical, and Lumen Maintenance data table below.



Rev. Date: 05/06/13



Product Specifications

CONSTRUCTION & MATERIALS

- Slim, low profile, easy mounting from below the deck
- Luminaire housing constructed of rugged cast aluminum with integral heat sink specifically designed for LED
- Luminaire mounts directly to the canopy deck in a 2.0" (51mm) to 4.0" (102mm) round hole and is secured in place with retained self sealing screws that provide water-tight seal
- Suitable for single or double skin canopies with minimum 4.0" (102mm) wide panels and a minimum 22 gauge, 0.030" (0.7mm) canopy thickness
- Optional wet listed junction box rated for feed through 8 (4 in, 4 out) #12 AWG conductors
- Fixture housing provided with 3/4" (19mm) conduit entry for direct wire feed
- Simple single hole drill for mounting to canopy
- Alignment pin included for ease of installation if desired (optional; requires drilling of additional hole)
- Below ceiling serviceable driver for ease of upgrade or replacement
- Exclusive Colorfast DeltaGuard® finish features an E-Coat epoxy primer with an ultra-durable powder topcoat, providing excellent resistance to corrosion, ultraviolet degradation and abrasion. Standard is white. Bronze, black, silver, and platinum bronze are also available

ELECTRICAL SYSTEM

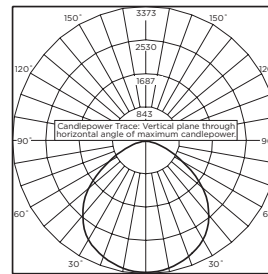
- **Input Voltage:** 120-277V or 347-480V, 50/60Hz, Class 1 drivers
- **Power Factor:** > 0.9 at full load
- **Total Harmonic Distortion:** < 20% at full load
- Integral 6kV surge suppression protection standard
- To address inrush current, slow blow fuse or type C/D breaker should be used

REGULATORY & VOLUNTARY QUALIFICATIONS

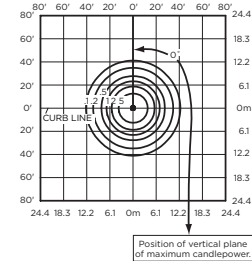
- cULus Listed
- Suitable for wet locations
- Enclosure rated IP66 per IEC 60529 pending
- Consult factory for CE Certified products
- 6kV surge suppression protection tested in accordance with IEEE/ANSI C62.412
- Luminaire and finish endurance tested to withstand 5,000 hours of elevated ambient salt fog conditions as defined in ASTM Standard B 117
- RoHS Compliant
- Meets Buy American requirements within ARRA

Photometry

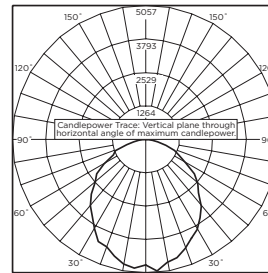
All published luminaire photometric testing performed to IESNA LM-79-08 standards by a NVLAP certified laboratory.



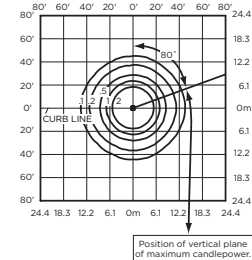
ITL Test Report #: 76866
CPY250-A-F-A-UL
Initial Delivered Lumens: 8,821



CPY250-A-F-A-UL
Mounting Height: 15' (4.6m)
Initial Delivered Lumens: 8,800
Initial FC at grade



Preliminary
CPY250-A-D-B-UL
Initial Delivered Lumens: 12,949



Preliminary
CPY250-A-D-A-UL
Mounting Height: 15' (4.6m)
Initial Delivered Lumens: 8,800
Initial FC at grade

Lumen Output, Electrical, and Lumen Maintenance Data

CPY250™ Canopy Luminaire											
Optic	Initial Delivered Lumens	BUG Ratings* Per TM-15-11	System Watts 120-277V	System Watts 347-480V	TOTAL CURRENT						50K Hours Calculated Lumen Maintenance Factor @ 15°C (59°F)**
					120V	208V	240V	277V	347V	480V	
D	8,800	B3 U2 G2	82W	84W	0.69	0.40	0.35	0.32	0.24	0.18	97%
F	8,800	B3 U0 G1	82W	84W	0.69	0.40	0.35	0.32	0.24	0.18	97%

* For more information on the IES BUG (Backlight-Uplight-Glare) Rating visit www.iesna.org/PDF/Erratas/TM-15-11BugRatingsAddendum.pdf.

** For recommended lumen maintenance factor data see TD-13. Calculated L_{m} based on 6,000 hours LM-80-08 testing: > 150,000 hours.

